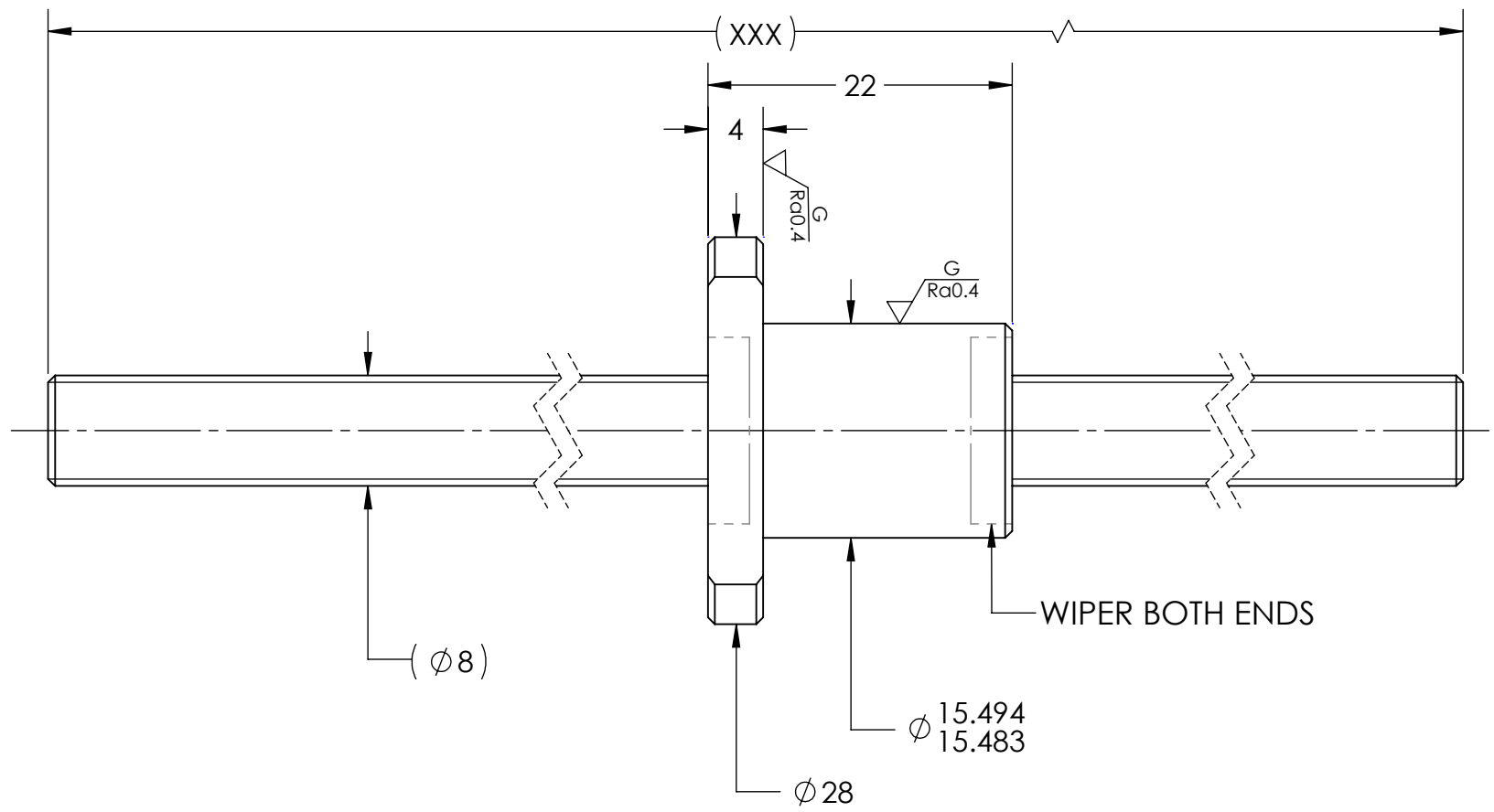
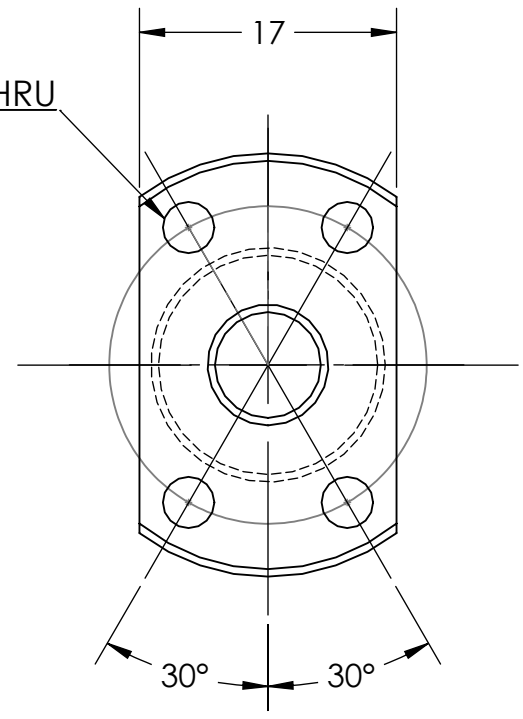


UNCONTROLLED IF PRINTED

$\sqrt{Ra0.4}$ ($\sqrt{G/Ra0.4}$)

4 - $\phi 3.4$ THRU
BCD 21



BREAK SHARP EDGES UNLESS OTHERWISE SPECIFIED

PRELOAD(kgf)	~
R.D.	6.158
S.F. (kgf)	~
DRAG TRQ(kgf-cm)	~
TURN DIRECTION	R
P.C. DIA.	7.72
BALL DIA.	1.5
BACKLASH	0.01MAX
CIRCUIT	2.6*1
LEAD ANGLE	5.89
DYNAMIC (kgf)	220
STATIC (kgf)	390
LEAD	2.5

ROUGH M/C	FIN M/C	GRD	MATERIAL		SHAFT:CF53/Equiv. NUT:SNM220/Equiv.				
$\sqrt{Ra25}$	$\sqrt{Ra6.3}$	$\sqrt{Ra0.4}$	THREAD BALL TRACK		HRC 56~62				
TOLERANCE mm									
UP	6	30	120	300	600	1200	2400	2400	
TO	6	30	120	300	600	1200	2400	OVER	
TURN DIRECTION	± 0.1	± 0.2	± 0.3	± 0.4	± 0.5	± 0.8	± 1.0	± 1.5	
DATE			INITIALS			HIWIN CORPORATION 12455 Jim Dhamer Dr, Huntley, IL 60142			
DRAWN	09/30/2022	D.W							
CHECKED	01/17/2023	T.C.							
MFG APPR.			A.H			TITLE: STANDARD STOCK BALLSCREW			
v300p: 0.05						PART NUMBER: R8-2.5B1-FSZ-XXX-XXX-0.05			
SIZE	DWG. NO.	REV	SCALE	NTS					
B	W-SBS-8-2.5-A01	N/C							

HIWIN CONFIDENTIAL