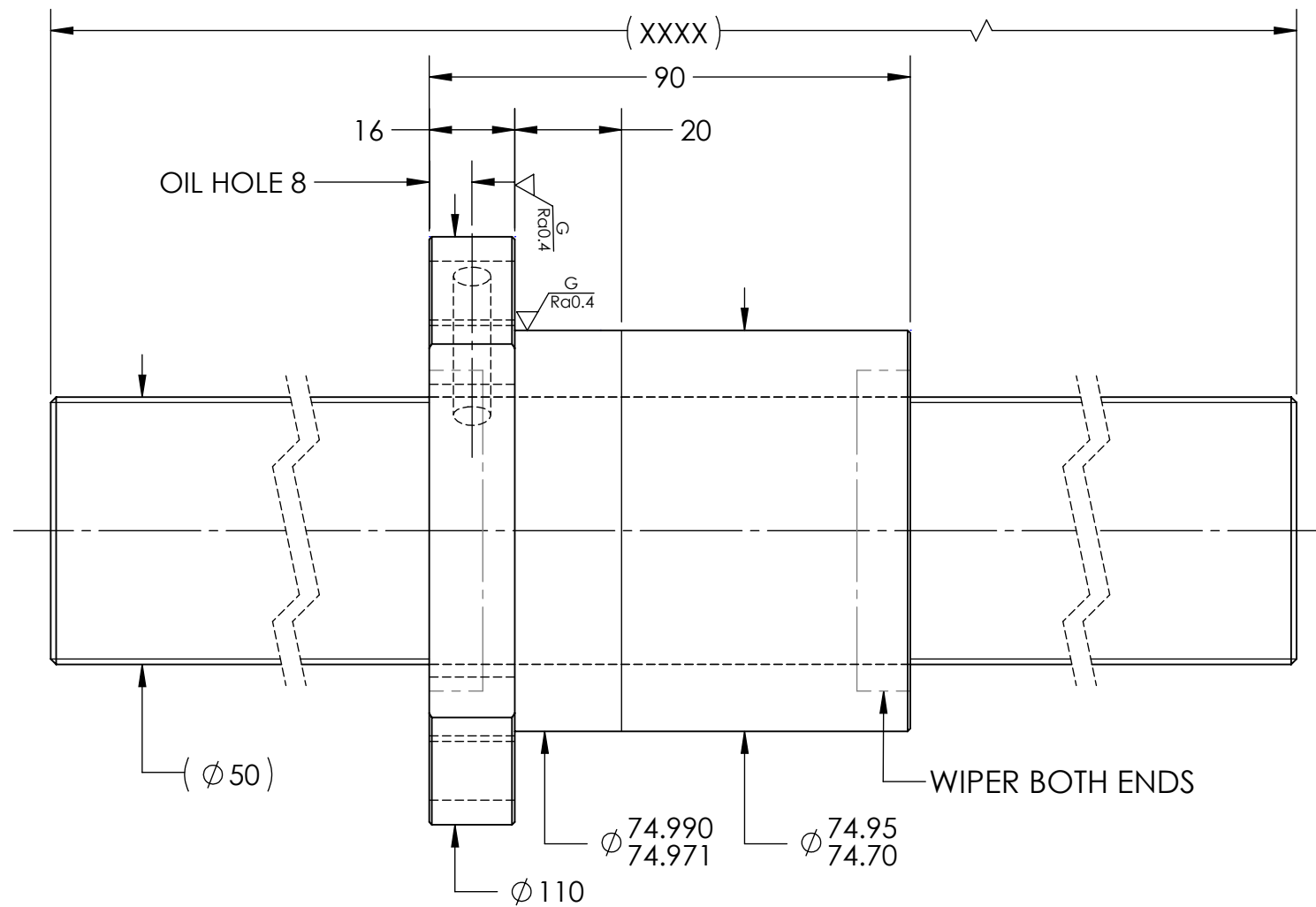
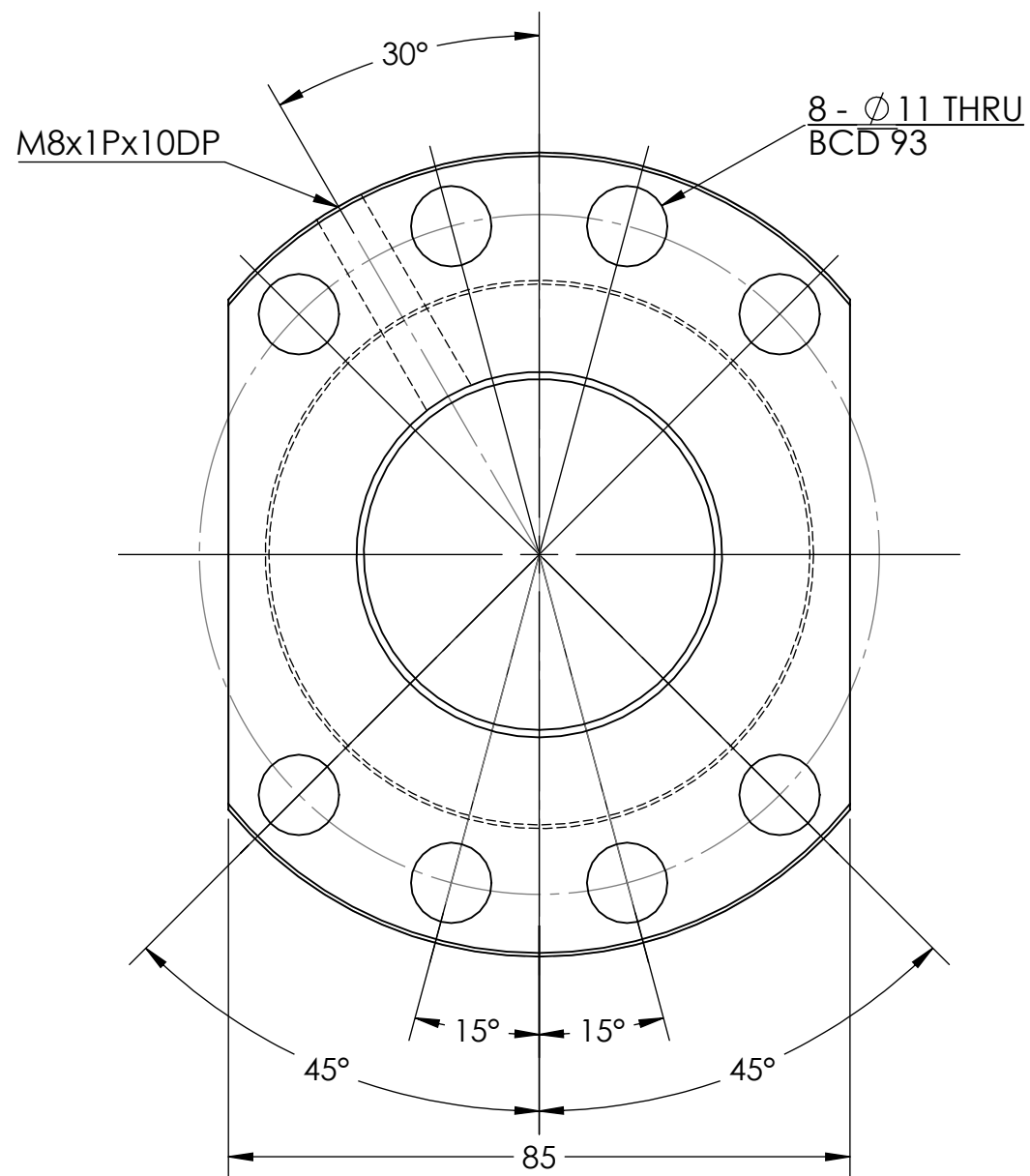


UNCONTROLLED IF PRINTED

$\sqrt{Ra6.3}$   $\sqrt{Ra0.4}$



**BREAK SHARP EDGES UNLESS OTHERWISE SPECIFIED**

PRELOAD(kgf)	~	ROUGH M/C	FIN M/C	GRD		MATERIAL	SHAFT:CF53/Equiv. NUT:SNM220/Equiv.			
R.D.	45.44	$\sqrt{Ra25}$	$\sqrt{Ra6.3}$	$\sqrt{Ra0.4}$		THREAD BALL TRACK	HRC 56~62			
S.F. (kgf)	~	<b>TOLERANCE mm</b>								
DRAG TRQ(kgf-cm)	~	UP	6	30	120	300	600	1200	2400	2400
TURN DIRECTION	R	TO	6	30	120	300	600	1200	2400	OVER
P.C. DIA.	51.93	$\pm 0.1$	$\pm 0.2$	$\pm 0.3$	$\pm 0.4$	$\pm 0.5$	$\pm 0.8$	$\pm 1.0$	$\pm 1.5$	
BALL DIA.	6.35	DATE	INITIALS	<b>HIWIN</b> HIWIN CORPORATION						
BACKLASH	0.07 MAX	DRAWN	11/16/2022	D.W	Motion Control and System Technology 12455 Jim Dhamer Dr, Huntley, IL 60142					
CIRCUIT	6	CHECKED	01/18/2023	T.C.	TITLE: <b>STANDARD STOCK BALLSCREW</b>					
LEAD ANGLE	3.51	MFG APPR.	01/18/2023	A.H	PART NUMBER: <b>R50-10K6-FSC-XXXX-XXXX-0.05</b>					
DYNAMIC (kgf)	7450			SIZE		DWG. NO.		REV	SCALE	NTS
STATIC (kgf)	25350			B		W-SBS-50-10-A01		N/C		
LEAD	10	v300p:								

HIWIN CONFIDENTIAL