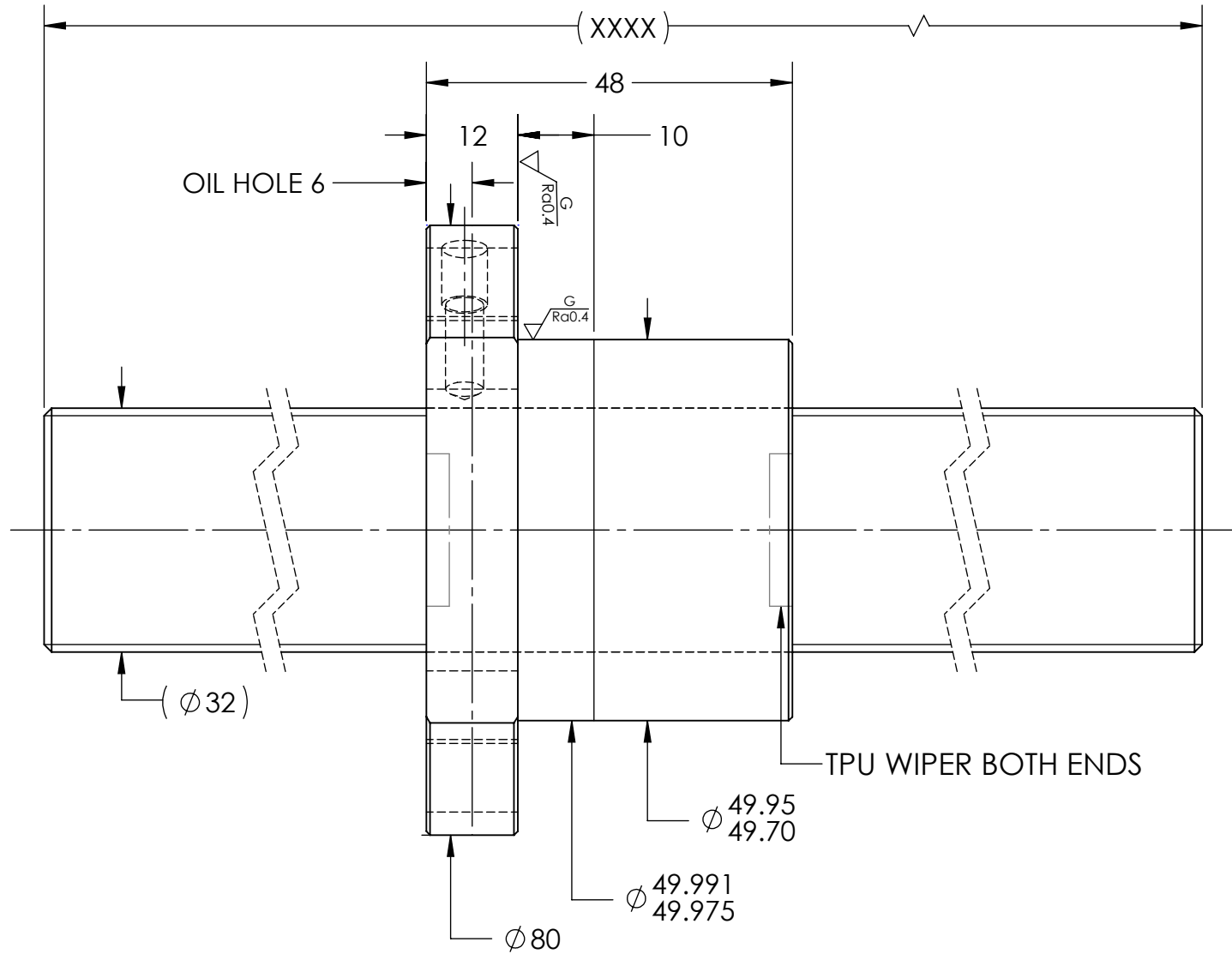
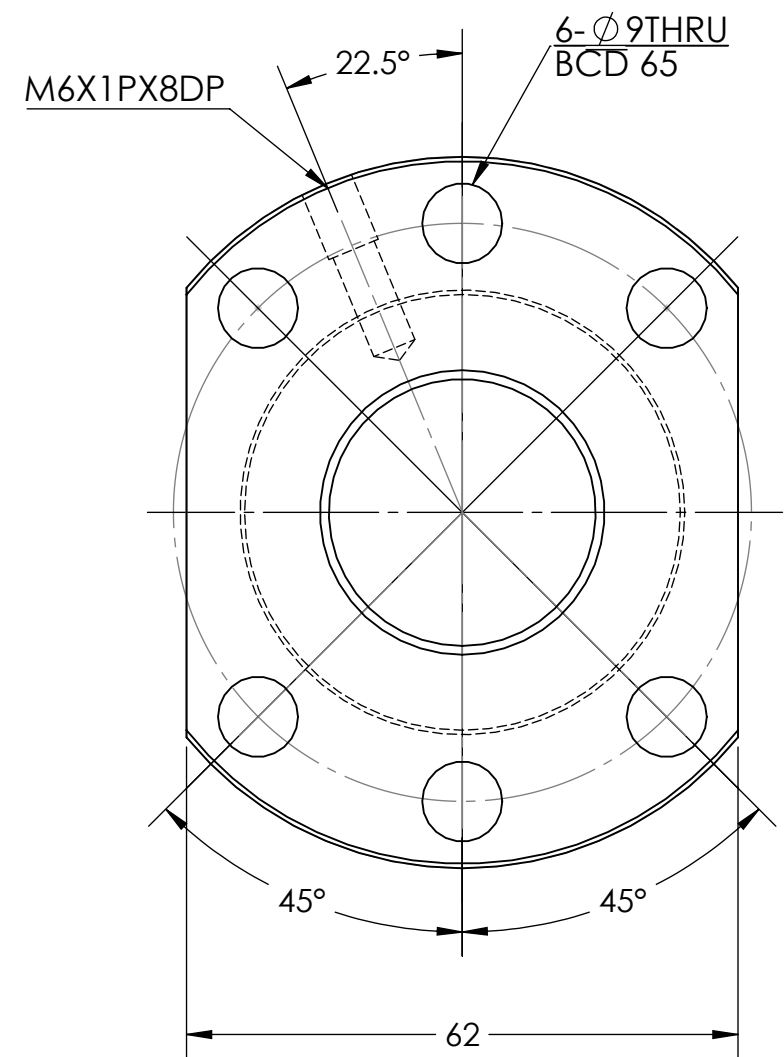


UNCONTROLLED IF PRINTED

Ra6.3 (G Ra0.4)



BREAK SHARP EDGES UNLESS OTHERWISE SPECIFIED

ROUGH M/C	FIN M/C	GRD	MATERIAL	SHAFT:CF53/Equiv. NUT:SNM220/Equiv.
√Ra25	√Ra6.3	√Ra0.4	THREAD BALL TRACK	HRC 56-62

TOLERANCE mm

UP	6	30	120	300	600	1200	2400	OVER
TO	6	30	120	300	600	1200	2400	OVER
TURN DIRECTION	± 0.1	± 0.2	± 0.3	± 0.4	± 0.5	± 0.8	± 1.0	± 1.5

PRELOAD(kgf)	~	DATE	INITIALS	 HIWIN CORPORATION 12455 Jim Dhamer Dr, Huntley, IL 60142		
R.D.	29.124	DRAWN	D.W			
S.F. (kgf)	~	CHECKED	T.C.			
DRAG TRQ(kgf-cm)	~	MFG APPR.	A.H			
TURN DIRECTION	R	TITLE: STANDARD STOCK BALLSCREW				
P.C. DIA.	32.4	PART NUMBER: R32-5K6-FSCEW-XXXX-XXXX-0.05				
BALL DIA.	3.175	SIZE	DWG. NO.	REV	SCALE	NTS
BACKLASH	0.04 MAX	B	W-SBS-32-5-A02	N/C		
CIRCUIT	6	v300p:				
LEAD ANGLE	2.81					
DYNAMIC (kgf)	2980					
STATIC (kgf)	8190					
LEAD	5					

HIWIN CONFIDENTIAL