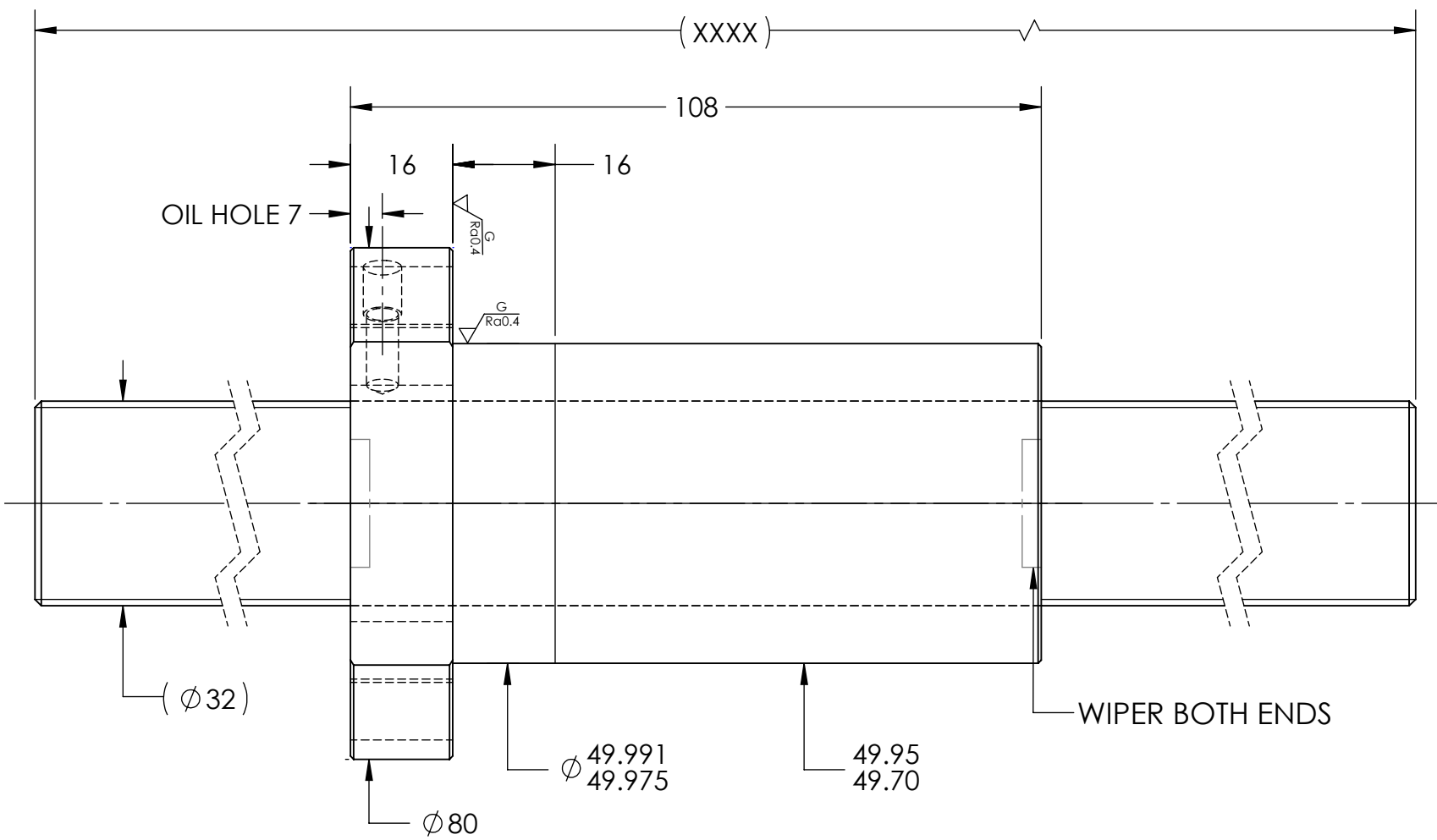
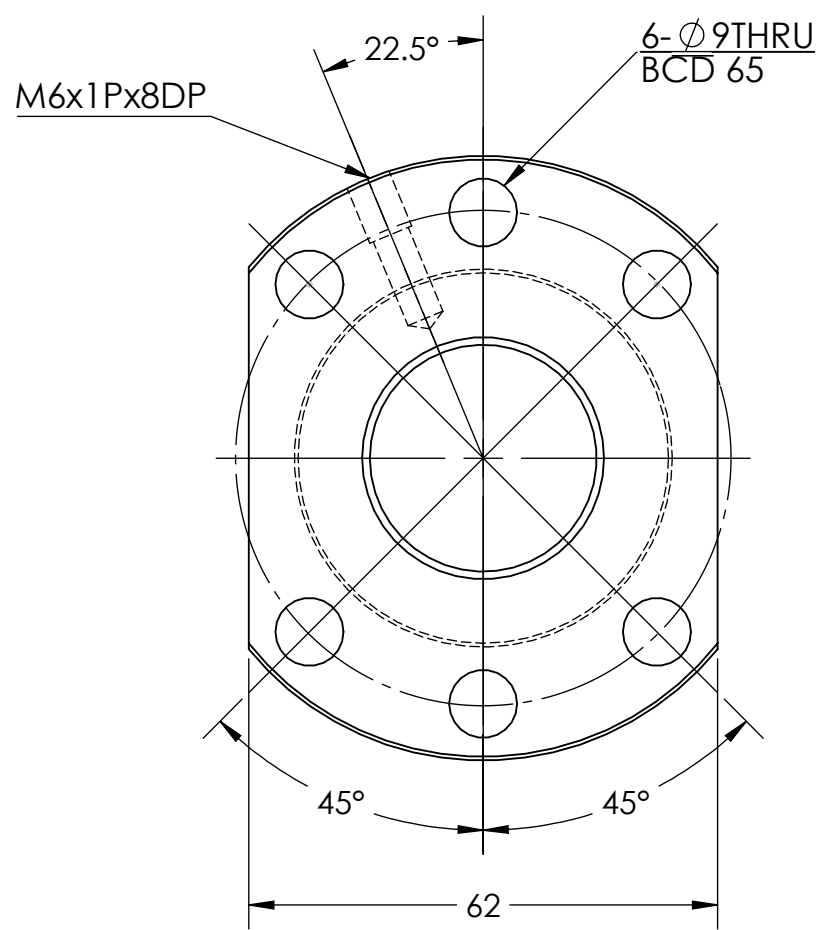


UNCONTROLLED IF PRINTED

$\sqrt{Ra6.3}$ ($\sqrt{Ra0.4}$)^G



PRELOAD(kgf)	~
R.D.	28.594
S.F. (kgf)	~
DRAG TRQ(kgf-cm)	~
TURN DIRECTION	R
P.C. DIA.	32.65
BALL DIA.	3.969
BACKLASH	0.04MAX
CIRCUIT	4
LEAD ANGLE	11.03
DYNAMIC (kgf)	2230
STATIC (kgf)	6640
LEAD/PITCH	20/10

BREAK SHARP EDGES UNLESS OTHERWISE SPECIFIED									
ROUGH M/C	FIN M/C	GRD		MATERIAL	SHAFT:CF53/Equiv. NUT:SNCM220/Equiv.				
$\sqrt{Ra25}$	$\sqrt{Ra6.3}$	$\sqrt{Ra0.4}$		THREAD BALL TRACK	HRC 56~62				
TOLERANCE mm									
UP	6	30	120	300	600	1200	2400	2400	
TO	6	30	120	300	600	1200	2400	OVER	
± 0.1	± 0.2	± 0.3	± 0.4	± 0.5	± 0.8	± 1.0	± 1.5		
DATE	INITIALS	HIWIN HIWIN CORPORATION Motion Control and System Technology 12455 Jim Dhamer Dr, Huntley, IL 60142							
DRAWN 09/30/2022	D.W	TITLE: STANDARD STOCK BALLSCREW							
CHECKED 01/18/2023	T.C.	PART NUMBER: 2R32-20K4-FSC-XXXX-XXXX-0.05							
MFG APPR. 01/18/2023	A.H	SIZE	DWG. NO.	REV	SCALE	NTS			
v300p:		B	W-SBS-32-20-A01	N/C					

HIWIN CONFIDENTIAL