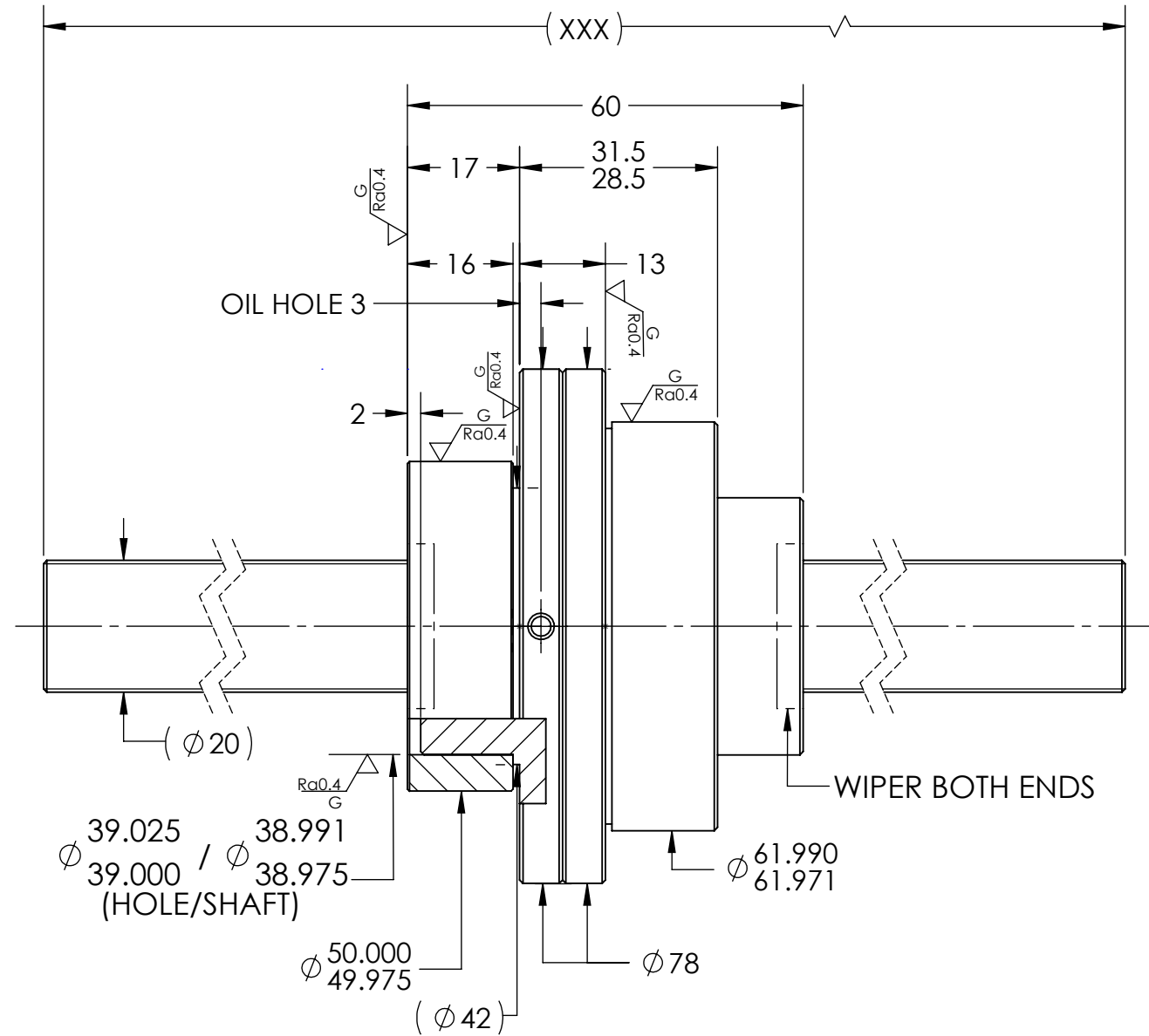
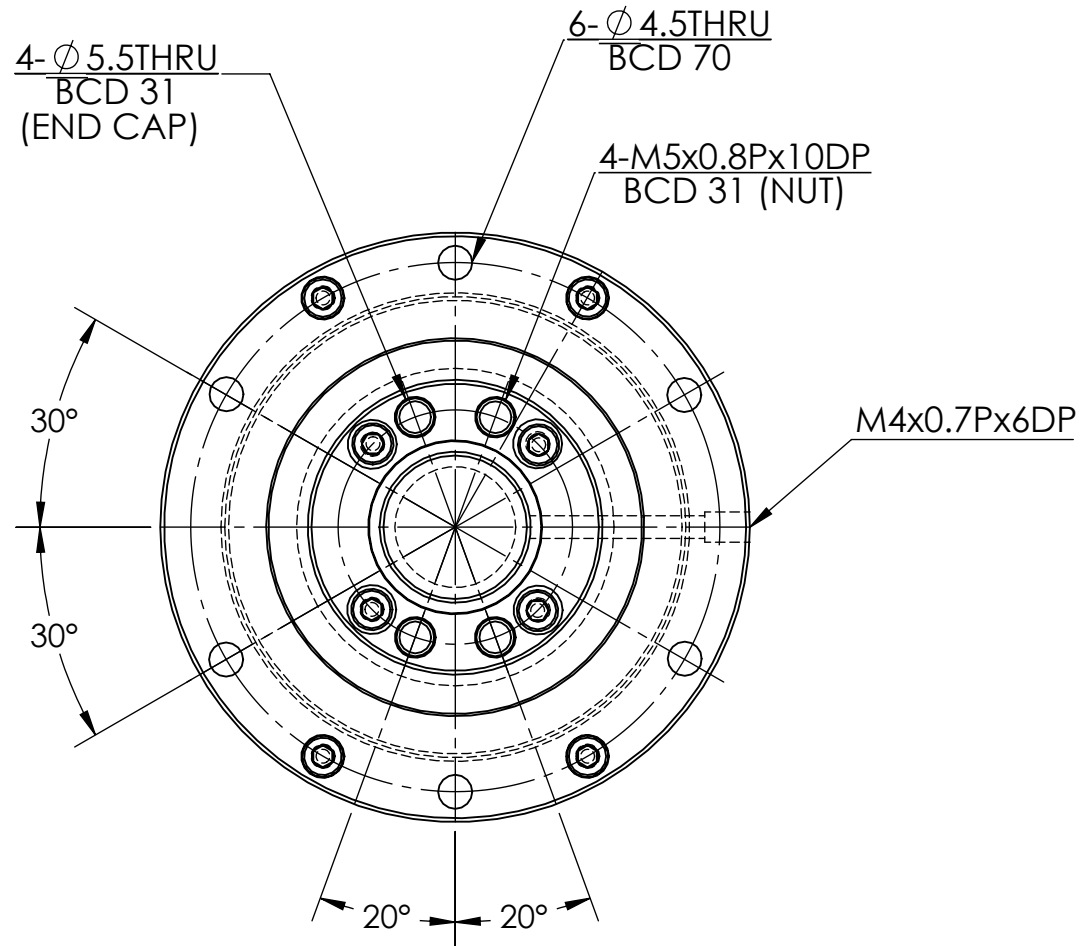


UNCONTROLLED IF PRINTED

$\sqrt{Ra6.3}$  ( $\sqrt{Ra0.4}$ )



DYNAMIC (BEARING) (kgf)	1762
STATIC (BEARING) (kgf)	2531
PRELOAD(kgf)	~
R.D.	17.084
S.F. (kgf)	~
DRAG TRQ(kgf-cm)	~
TURN DIRECTION	R
P.C. DIA.	20.36
BALL DIA.	3.175
BACKLASH	0.04 MAX
CIRCUIT	1.8*2
LEAD ANGLE	17.36
DYNAMIC (kgf)	796
STATIC (kgf)	1740
LEAD/PITCH	20/5

<b>BREAK SHARP EDGES UNLESS OTHERWISE SPECIFIED</b>									
ROUGH M/C	FIN M/C	GRD	MATERIAL		SHAFT:CF53/Equiv. NUT:SNM220/Equiv.				
$\sqrt{Ra25}$	$\sqrt{Ra6.3}$	$\sqrt{Ra0.4}$	THREAD BALL TRACK		HRC 56~62				
<b>TOLERANCE mm</b>									
UP	6	30	120	300	600	1200	2400	2400	
TO	6	30	120	300	600	1200	2400	OVER	
	± 0.1	± 0.2	± 0.3	± 0.4	± 0.5	± 0.8	± 1.0	± 1.5	
DATE	INITIALS	<b>HIWIN</b> HIWIN CORPORATION							
DRAWN 7/14/2022	D.W	Motion Control and System Technology 12455 Jim Dhamer Dr, Huntley, IL 60142							
CHECKED 01/31/2023	T.C.	TITLE: <b>STANDARD STOCK BALLSCREW</b>							
MFG APPR. 01/31/2023	A.H	PART NUMBER: <b>4R20-20S2-DFSHR1-XXX-XXX-0.05</b>							
SIZE	DWG. NO.	REV	SCALE	NTS					
B	W-SBS-20-20-A02	N/C							

HIWIN CONFIDENTIAL