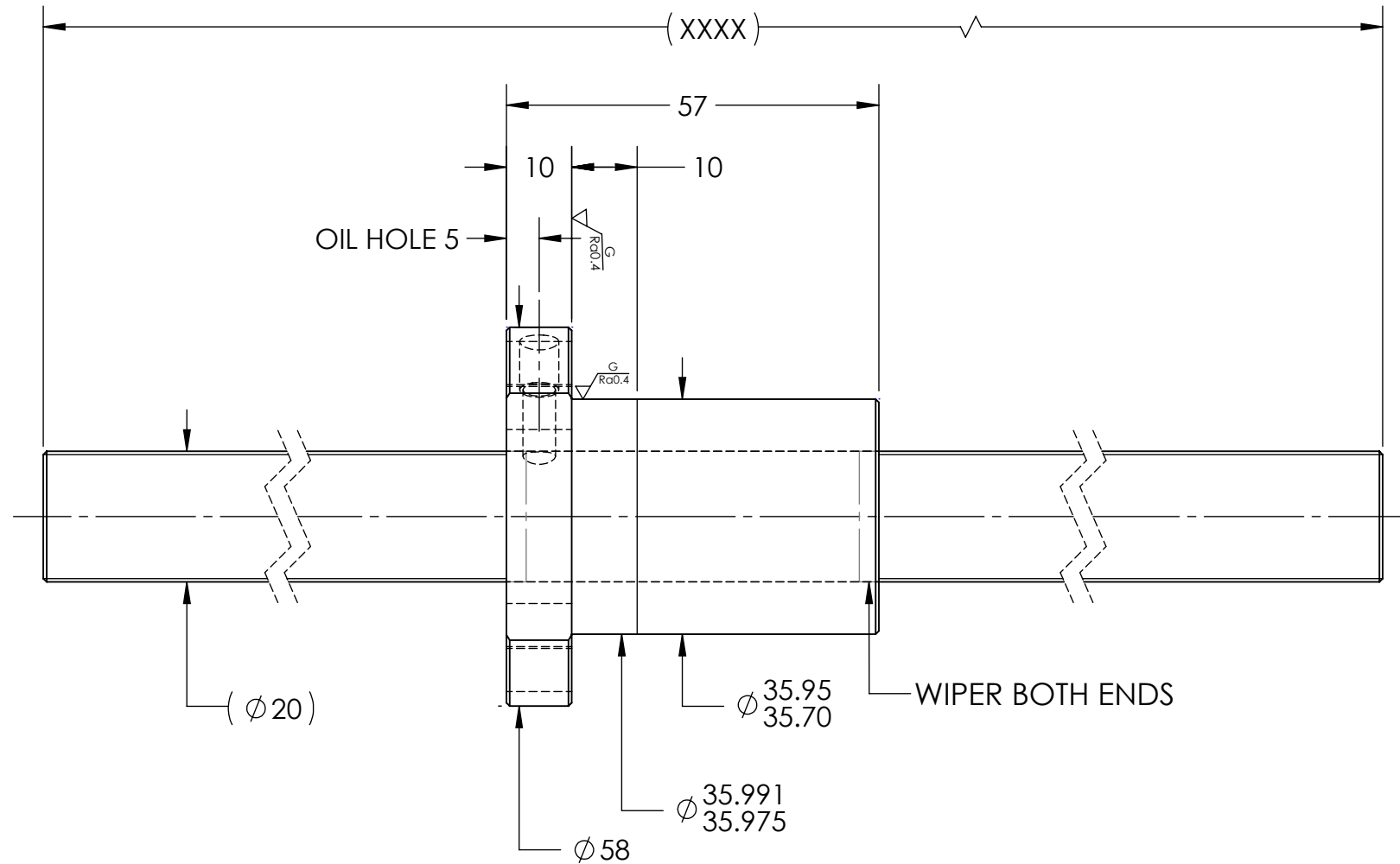
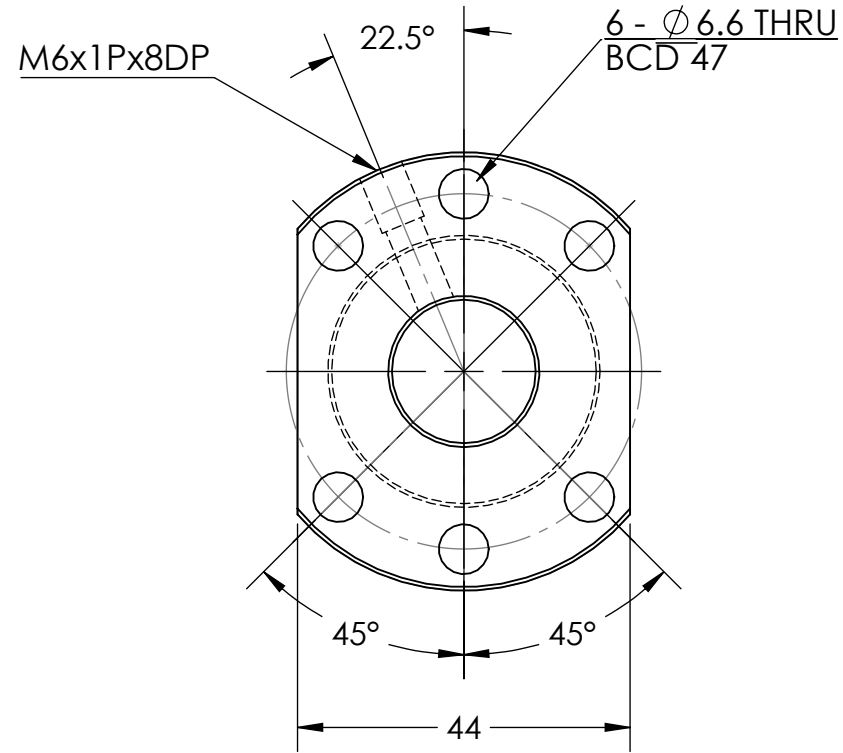


UNCONTROLLED IF PRINTED

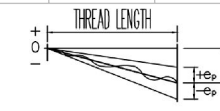
Ra6.3 (G Ra0.4)



BREAK SHARP EDGES UNLESS OTHERWISE SPECIFIED

PRELOAD(kgf)	~
R.D.	16.624
S.F. (kgf)	~
DRAG TRQ(kgf-cm)	~
TURN DIRECTION	R
P.C. DIA.	19.9
BALL DIA.	3.175
BACKLASH	0.04 MAX
CIRCUIT	4
LEAD ANGLE	9.09
DYNAMIC (kgf)	1280
STATIC (kgf)	3070
LEAD	10

ROUGH M/C	FIN M/C	GRD	MATERIAL		SHAFT:CF53/Equiv. NUT:SNCM220/Equiv.					
√Ra25	√Ra6.3	√Ra0.4	THREAD BALL TRACK		HRC 56~62					
TOLERANCE mm										
UP	6	30	120	300	600	1200	2400	2400		
TO	6	30	120	300	600	1200	2400	OVER		
	± 0.1	± 0.2	± 0.3	± 0.4	± 0.5	± 0.8	± 1.0	± 1.5		
DATE	INITIALS	HIWIN CORPORATION 12455 Jim Dhamer Dr, Huntley, IL 60142								
DRAWN	11/14/2022	D.W	TITLE: STANDARD STOCK BALLSCREW							
CHECKED	01/18/2023	T.C.	PART NUMBER: R20-10K4-FSC-XXXX-XXXX-0.05							
MFG APPR.	01/18/2023	A.H	SIZE	DWG. NO.	REV	SCALE	NTS			
			B	W-SBS-20-10-A03	N/C					



HIWIN CONFIDENTIAL