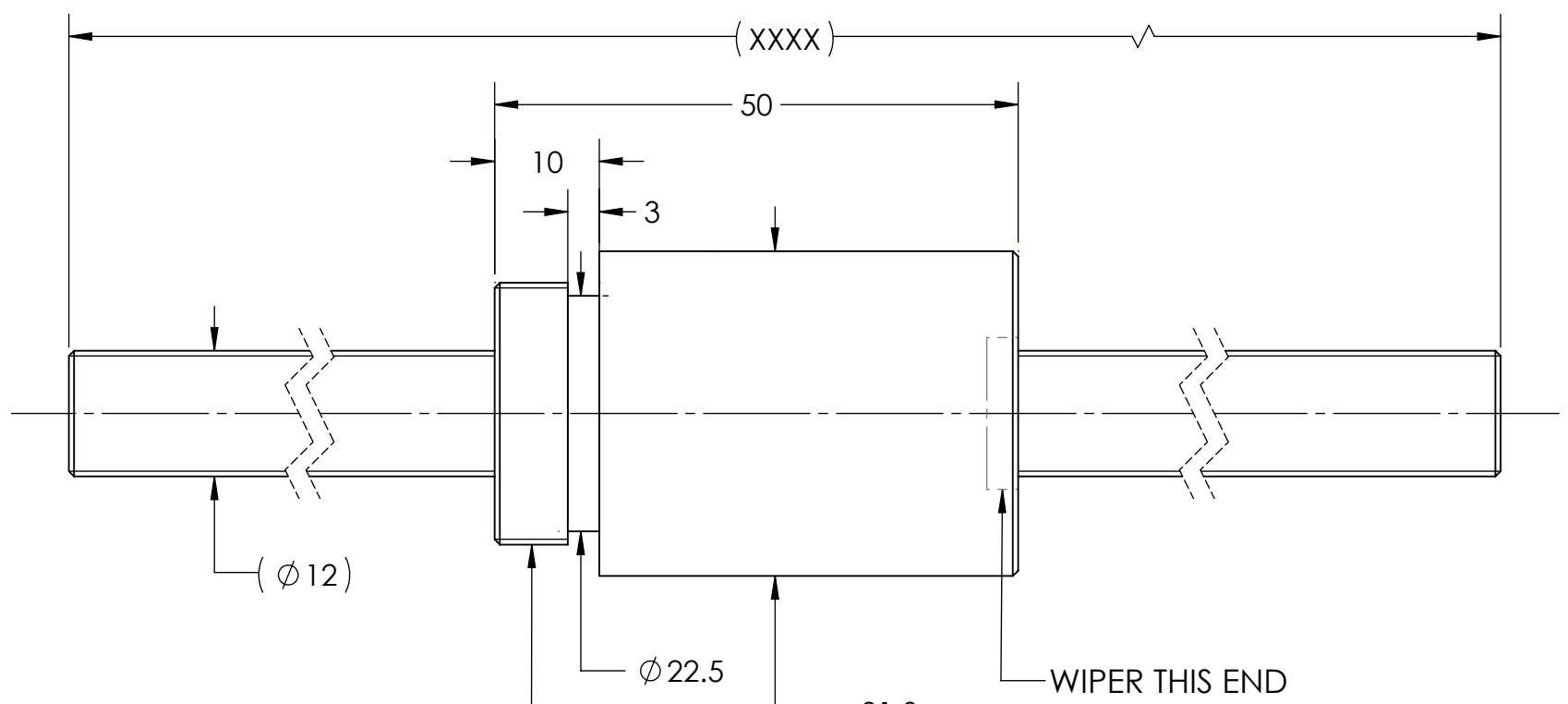
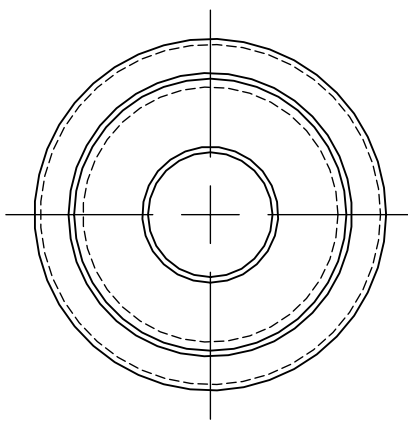


UNCONTROLLED IF PRINTED

$\sqrt{Ra6.3}$ ($\sqrt{G Ra0.4}$)



M25 X 1.5P
 MD: 24.968
 24.732
 PD: 23.994
 23.844

BREAK SHARP EDGES UNLESS OTHERWISE SPECIFIED

| | | | | | | | | | | | | |
|------------------|----------|---------------------|-----------------|--|-------|-------------------|--|-------|-------|------|--|------|
| PRELOAD(kgf) | ~ | ROUGH M/C | FIN M/C | GRD | | MATERIAL | SHAFT:CF53/Equiv. NUT:SNM220/Equiv. | | | | | |
| R.D. | 9.622 | $\sqrt{Ra25}$ | $\sqrt{Ra6.3}$ | $\sqrt{Ra0.4}$ | | THREAD BALL TRACK | HRC 56-62 | | | | | |
| S.F. (kgf) | ~ | TOLERANCE mm | | | | | | | | | | |
| DRAG TRQ(kgf-cm) | ~ | UP TO | 6 | 30 | 120 | 300 | 600 | 1200 | 2400 | OVER | | |
| TURN DIRECTION | R | ± 0.1 | ± 0.2 | ± 0.3 | ± 0.4 | ± 0.5 | ± 0.8 | ± 1.0 | ± 1.5 | | | |
| P.C. DIA. | 12.08 | DATE | INITIALS | HIWIN CORPORATION 12455 Jim Dhamer Dr, Huntley, IL 60142 | | | | | | | | |
| BALL DIA. | 2.381 | DRAWN | 04/27/2022 | | | | | | | | | D.W |
| BACKLASH | 0.02 MAX | CHECKED | 01/17/2023 | | | | | | | | | T.C. |
| CIRCUIT | 2.6*1 | MFG APPR. | 01/17/2023 | | | | | | | | | A.H |
| LEAD ANGLE | 14.76 | THREAD LENGTH | | TITLE: STANDARD STOCK BALLSCREW PART NUMBER: 2R12-10B1-RST-XXXX-XXXX-0.05 | | | | | | | | |
| DYNAMIC (kgf) | 490 | SIZE | DWG. NO. | REV | SCALE | NTS | | | | | | |
| STATIC (kgf) | 960 | B | W-SBS-12-10-A01 | N/C | | | | | | | | |
| LEAD/PITCH | 10/5 | v300p: | | | | | | | | | | |

HIWIN CONFIDENTIAL